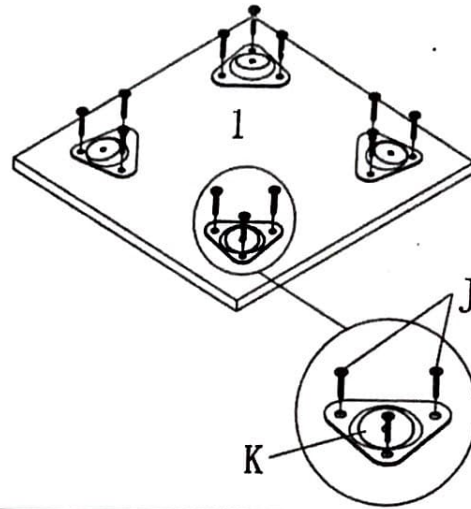


ASSEMBLY INSTRUCTION

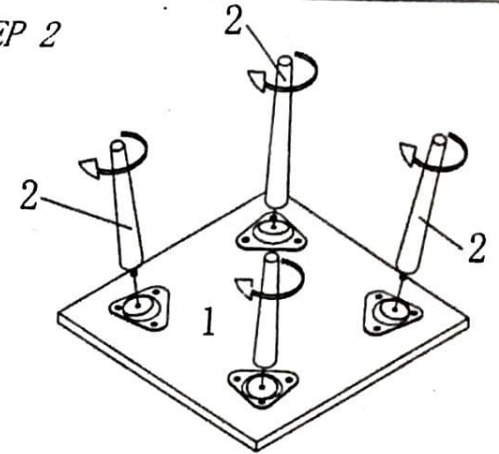


A $\phi 15\text{mm}$ a2 x1 a1 x8	B $\phi 3.5 \times 30$ x8
C $\phi 8 \times 30\text{mm}$ x8	D $\phi 3.5 \times 14$ x16
E x20	F $\phi 3.5 \times 20$ x4
G x2	H $\phi 10\text{mm}$ h2 x1 h1 x8
J $\phi 3.5 \times 16$ x12	K x4

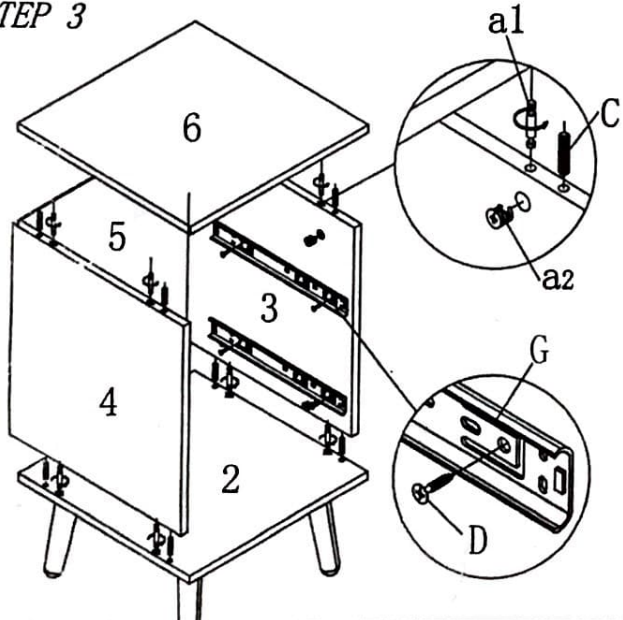
STEP 1



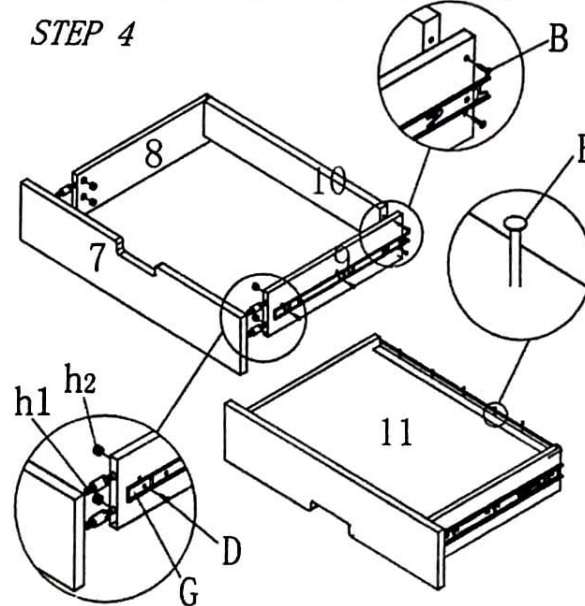
STEP 2



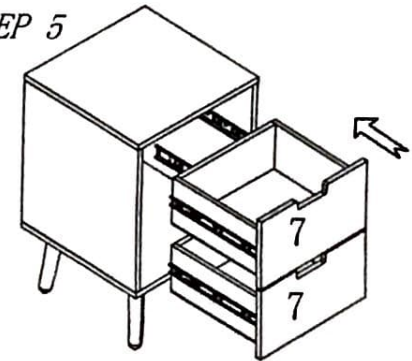
STEP 3



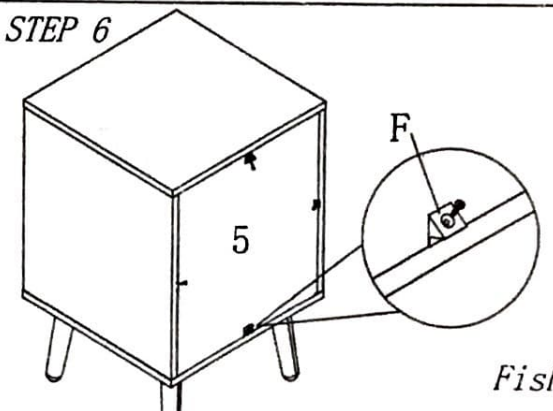
STEP 4



STEP 5



STEP 6



Fish